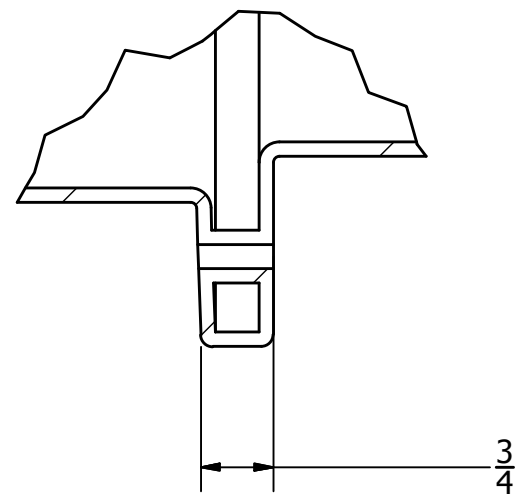
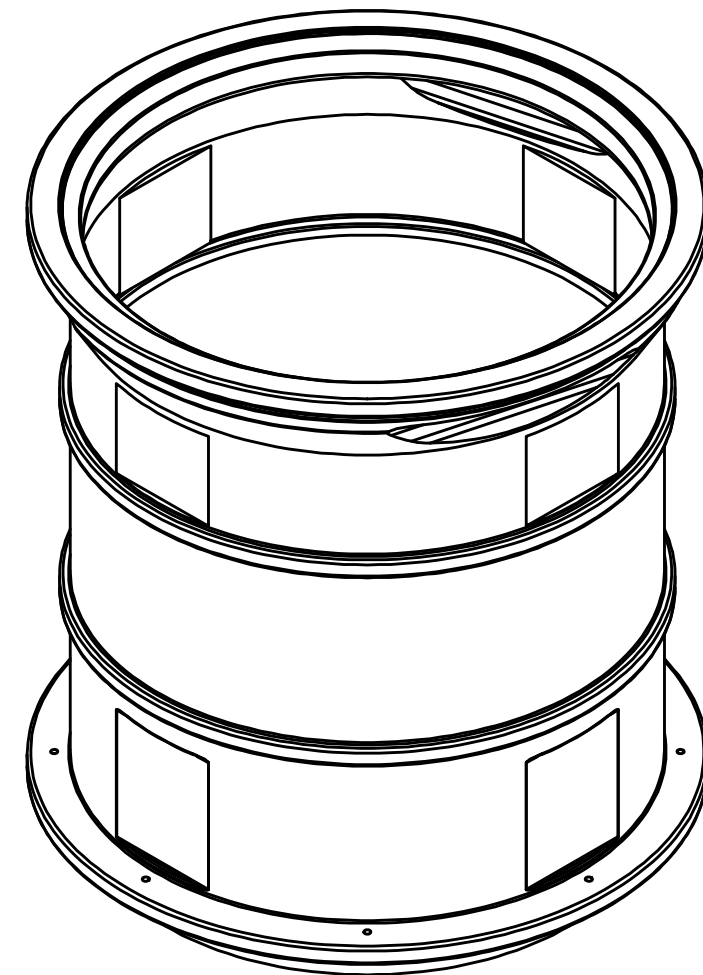


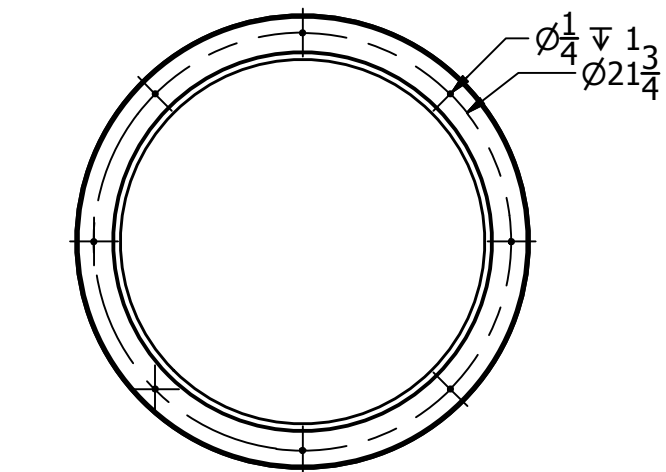
SECTION A-A  
SCALE 1/8



DETAIL B  
SCALE 1 / 2



REVISION HISTORY				
ZONE	REV	DESCRIPTION	DATE	APPROVED



DRAWN Todd Bolzer	7/31/2009			
CHECKED				
QA		TITLE		
MFG		24 INCH LOW PROFILE MAN HOLE EXTENSION		
APPROVED		SIZE	DWG NO	REV
		B	63834	
		SCALE: 1/16	SHEET 1 OF 1	